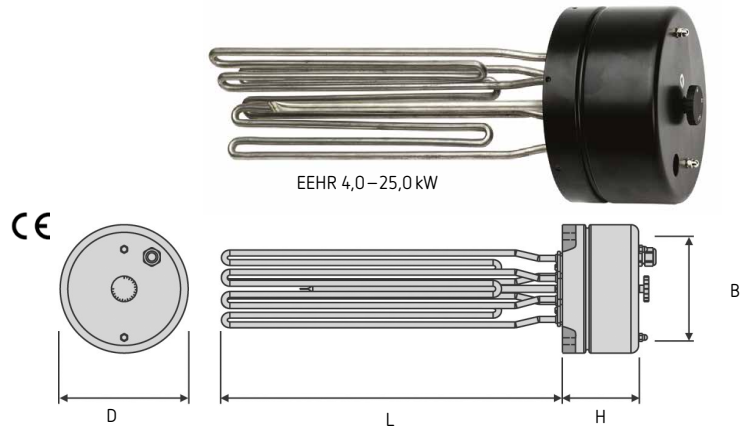


Reflex EFHR flange-type electric heating element

- As auxiliary electric heating
- Approved for continuous operation
- Suitable for these types:
 - Storatherm Aqua Heat Pump
 - Storatherm Aqua Solar
 - Storatherm Aqua
 - Storatherm Aqua Load
 - Storatherm Heat HF...Rs
- Easy integration via the tank's service opening
- To 10.0 kW LK 150mm → ≤ 500 litres tank volume
- From 16.0 kW LK 225mm → > 500 litres tank volume
- 3 power levels, reversible connections
- With temperature controller to 95 °C
- Safety temperature limiter 120 °C
- Electric connections by the user
- Incl. flange and seal



Reflex EFHR flange-type electric heating element

Type	Part No.	Product group	Tank volume [l]	Capacity [kW]	Voltage V	Installation length L [mm]	Width B [mm]	Height H [mm]	Ø D [mm]
EFHR 4,0	9116314	68	150-5000	4,0 / 2,7 / 2,0	400	295	150	110	185
EFHR 6,0	9116315	68	300-5000	6,0 / 4,0 / 3,0	400	395	150	110	185
EFHR 8,0	9116316	68	300-5000	8,0 / 5,5 / 4,0	400	495	150	110	185
EFHR 10,0	9116317	68	300-5000	10,0 / 6,7 / 5,0	400	495	150	110	185
EFHR 16,0	9116501	68	750-5000	16,0 / 11,0 / 8,0	400	610	225	140	280
EFHR 19,0	9116502	68	1000-5000	19,0 / 12,7 / 9,0	400	740	225	140	280
EFHR 25,0	9115569	68	1000-5000	25,0 / 18,8 / 12,5	400	740	225	140	280