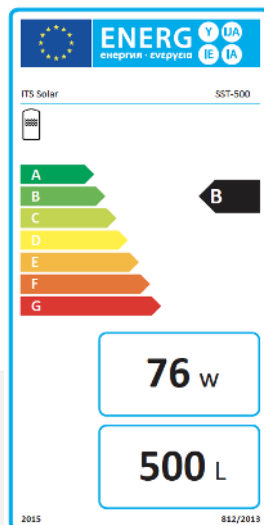


*ITS 500L stainless steel
hot water storage tank.*

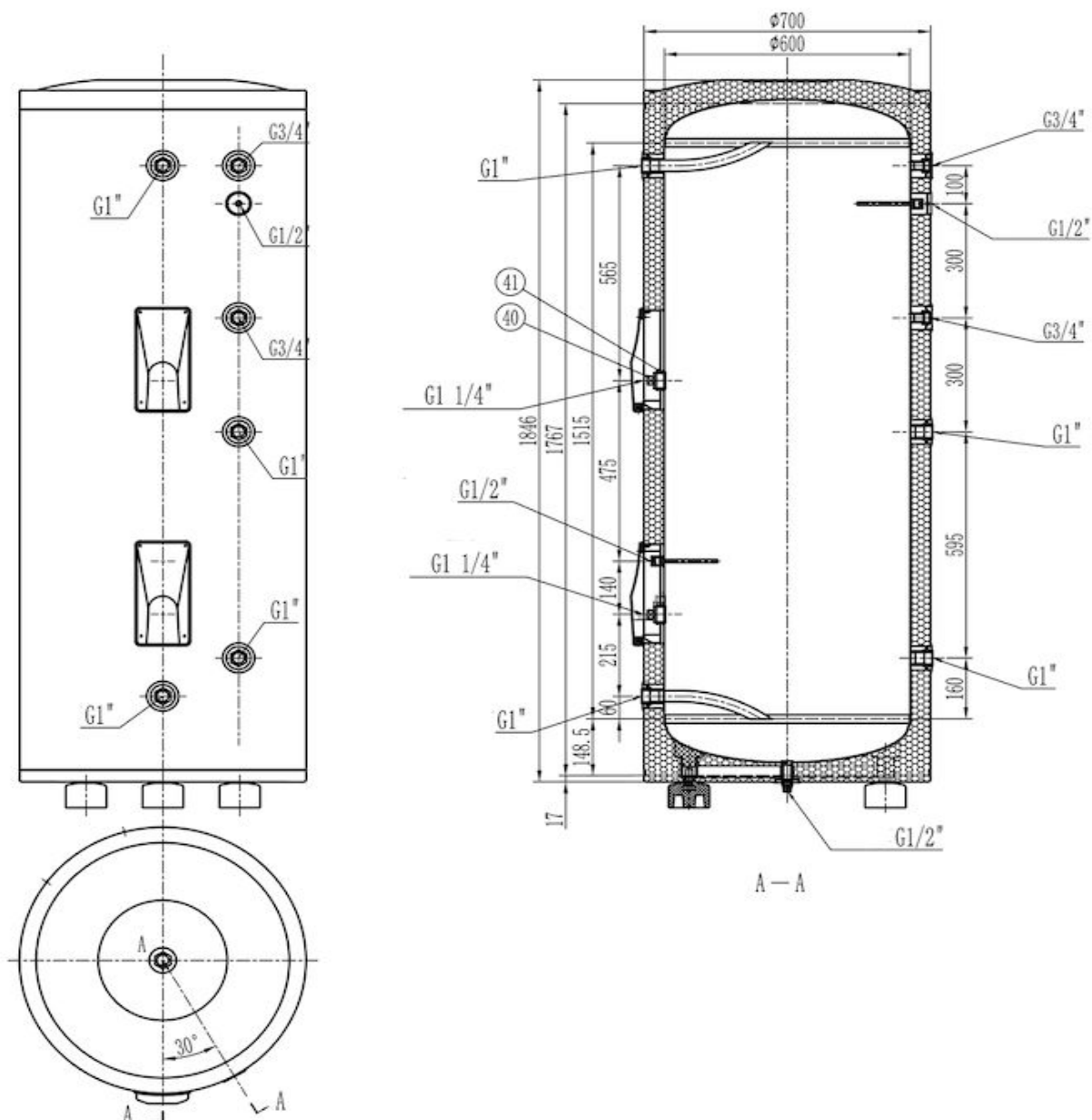
Key features:

- ✓ Low standing loss B-rated energy efficiency.
- ✓ High quality SUS316L stainless steel inner tank.
- ✓ Galvanised mild steel outer casing.
- ✓ 50mm polyurethane insulation.
- ✓ Heat pump ready ports for direct heat pump connection.
- ✓ Solar ports for easy solar water heating connection.
- ✓ Dedicated ring main return port ensures optimal hot water delivery.
- ✓ Multiple thermostat pockets.
- ✓ Can be installed outside.
- ✓ Max. operating pressure: 400 kPa.
- ✓ Max. operating temperature: 95°C.
- ✓ 5 year warranty.



Technical specifications:

Model	SST-500
Water proof level	IPX4
Tank volume (L)	500
Max working water pressure (kPa)	400
Inner tank material	SUS316L
Outer casing material	Galvanised mild steel
Max working temperature (°C)	95
Diameter (mm)	700
Height (mm)	1880
Weight (empty kg)	90



South Africa's leading **heat pump & solar water heating** supplier

Tel: 021 854 5290 | 011 900 2222 | Email: info@itssolar.co.za | Web: www.itssolar.co.za