

TECHICAL DATA

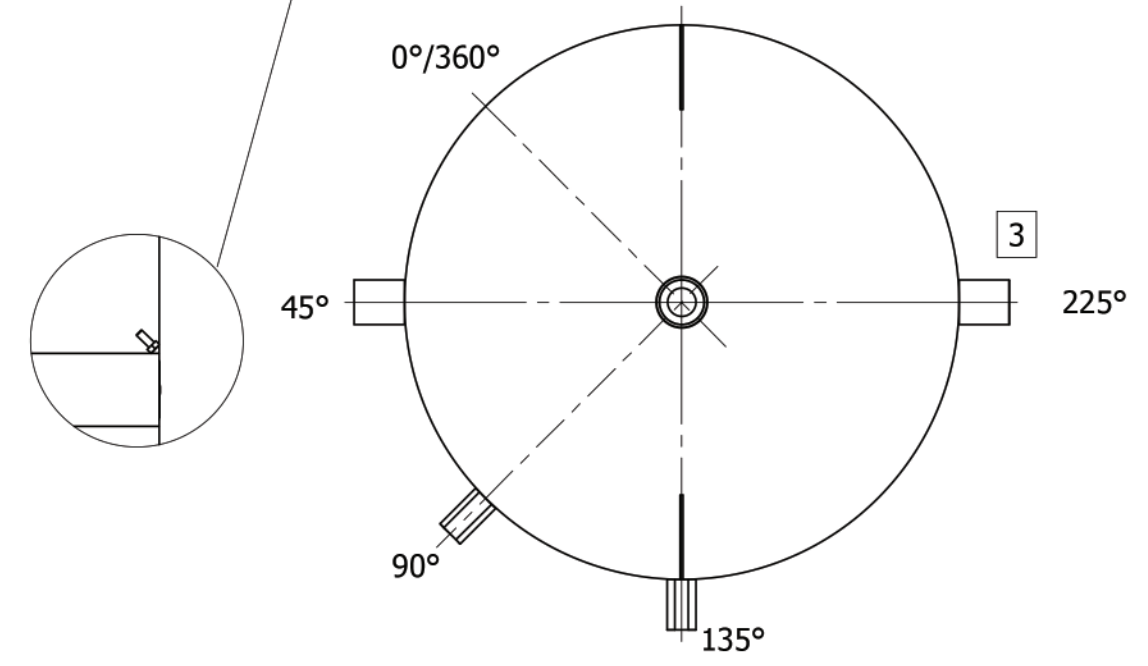
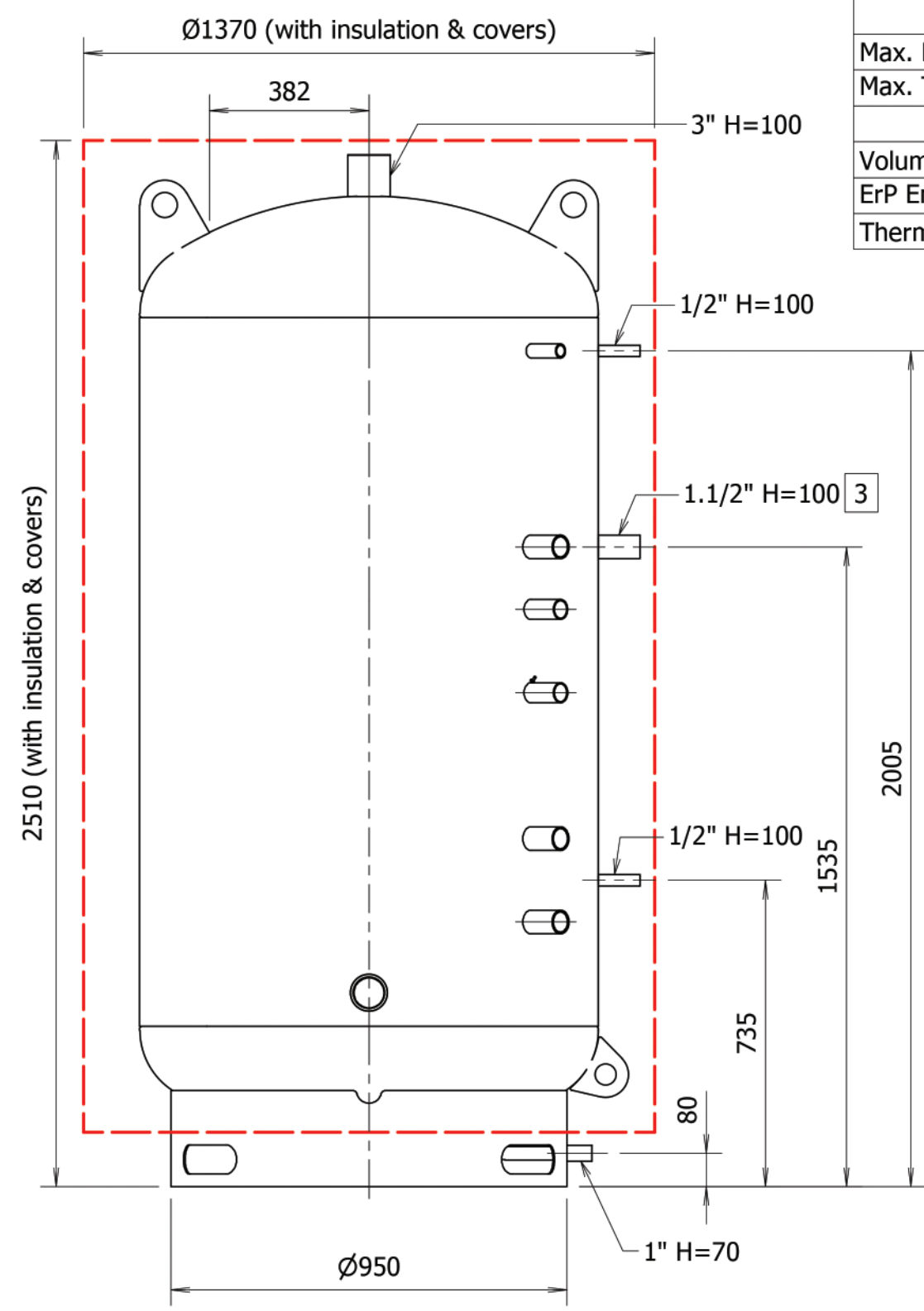
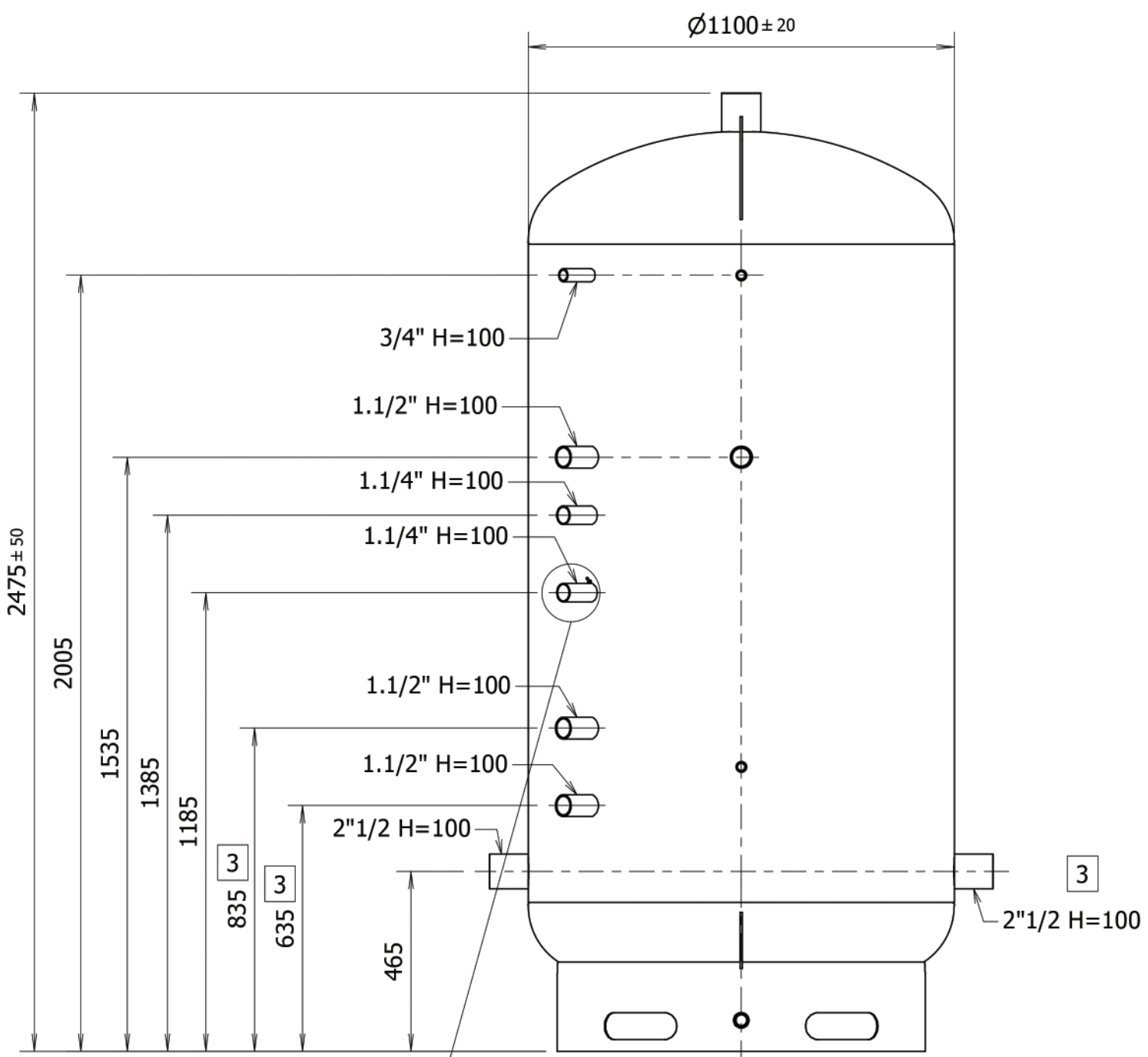
Max. Pressure	bar	6
Max. Temperature	°C	+95
Volume	L	1952
ErP Energy Class		C
Thermal loss	W	174

SURFACE TREATMENT

Internal: enamelling
External: none

INSULATION & FINISH

Insulation: 100% recyclable polyester fibre, fire resistance class B1 acc. to DIN 4102-1
Finish: PVC grey RAL 9006



SAC 2000L

